

PRODUCT BENEFITS

Benefits of NORMACONNECT® Pipe Couplings

NORMACONNECT® pipe couplings provide the following features:

Simple fitting and quick installation

- Ready to use, no single parts, no disassembling and reassembling
- No preparation time, no pipe-end treatment, no harmonization work
- Offers angular deflection, no precise pipe gap necessary, stress-free pipe joining

Reliable sealing system

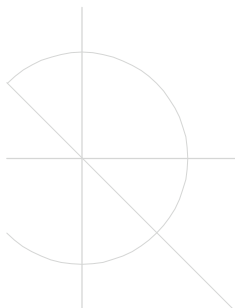
- Dynamic sealing effect even with rough pipe surface
- Dampens pressure surges, vibration and shocks
- Axial-restraint (Grip / CombiGrip E / PlastGrip E)
- Allows length variation (Flex)

Durable and economic

- High chemical resistance of stainless steel components and sealing sleeve
- Long-term elasticity of rubber
- Trouble-free and maintenance-free pipe joint
- Couplings are several times re-usable
- No pipe-end treatment, thus cost saving

Universal range of applications

- For pressure, depression or vacuum
- Free choice of pipe material
- Joins same or different pipe materials
- Dampens pressure surges or structure borne noise
- Repairs pipe damage



Benefits for the user

NORMACONNECT® pipe couplings and repair clamps provide benefits for the user with regard

... to

- Industry and industrial applications
- Water supply and water treatment
- Domestic application
- Shipbuilding and ship repair
- Service, repair and maintenance

... to planning

- Simple and cost-reliable planning with ready-to-use pipe joints
- Reproducibility of fitting time, installation according to schedule
- Low weight, handy, compact (shipbuilding, vehicle construction)
- Reduced space requirement thus tight pipe guidance possible
- Enlargement or change of pipeline direction is done quickly and at low cost, due to the re-usability of the pipe couplings

... to installation

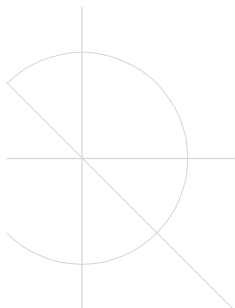
- Low weight, handy, compact
- Simple and quick installation due to ready-to-use pipe joints
- No preparation time, no pipe-end treatment, no harmonization work
- Tight-safe and long lasting pipe joint
- Installation of pre-fabricated pipe sections

... to operation

- Reliable through controlled manufacturing quality and high safety reserves
- Dampening of pressure surges, vibration and structure borne noise, protection of integrated gauges, fittings etc.
- Enlargement or change of pipe direction is done quick and at low cost, due to the re-usability of the pipe couplings
- Changes are possible during operation due to parallel guidance of pipes or bypasses

... to down-time, repair or maintenance

- Very quick reaction due to dis-chargeability and re-usability of pipe joints
- Very short down-time due to rapid disconnection and refitting of pipe coupling
- No design constraint, joins same or different pipe materials
- Ready-to-use, no preparation time, no pipe-end treatment, no harmonization work
- No risk of fire, e.g. during welding
- Problem solving during reorganization and reconstruction

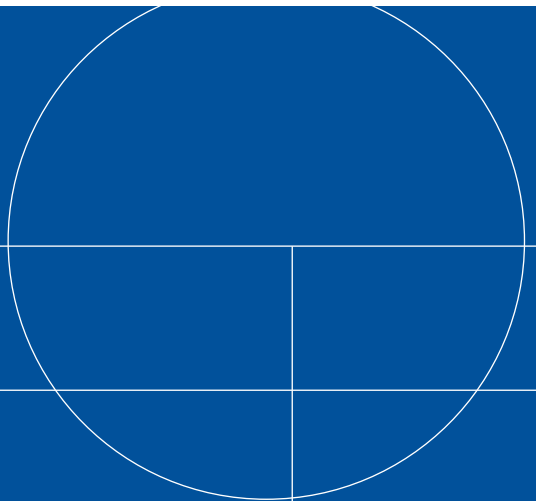


NORMACONNECT® RFP

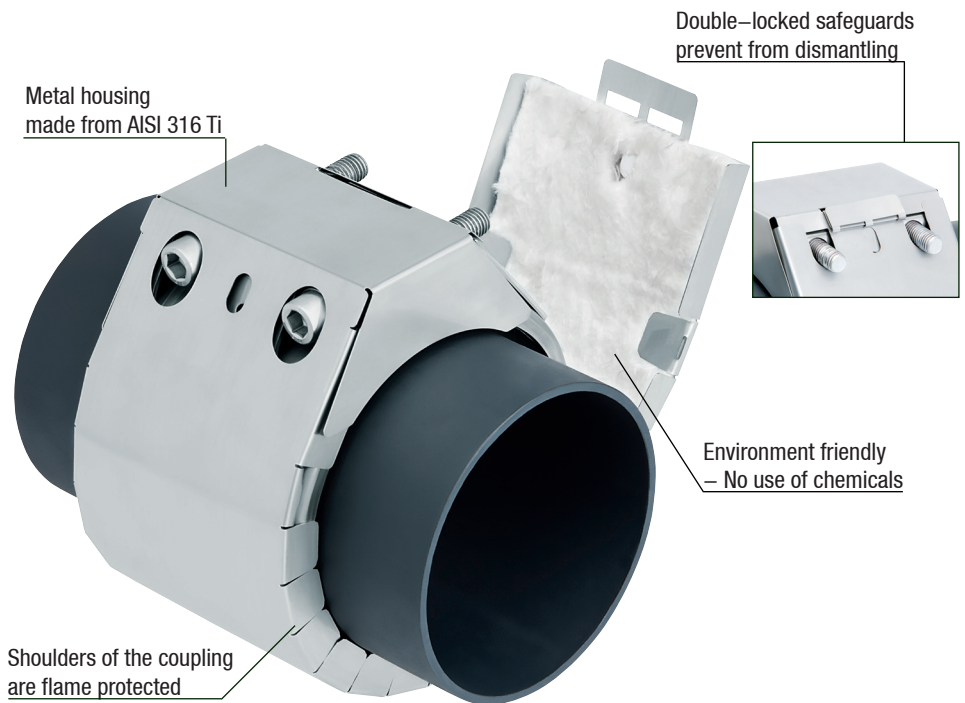
Retrofittable Flame Protection for FGR couplings



Quick and easy assembly for protection against fire



A reliable flame protector for maximum safety



The NEW **NORMACONNECT® RFP** is a retrofittable flame protection housing that has been specially designed for use with all **NORMACONNECT® FLEX**, **GRIP** and **REP** pipe couplings. Its low weight and straightforward design allows quick, easy assembly without any tools and the built-in flame resistant mineral fibre mat provides a premium level of flame protection.

The new Retrofit Flame Protection (RFP) housing has been extensively tested and is approved by Germanischer Lloyd. Approvals are also underway with Bureau Veritas, American Bureau of Shipping, Det Norske Veritas, Lloyd's Register RINA, Korean Register of Shipping, Russian Maritime Register of Shipping, Polski Rejestr Statkon and Nippon Kaiji Kyokai / Class NK.

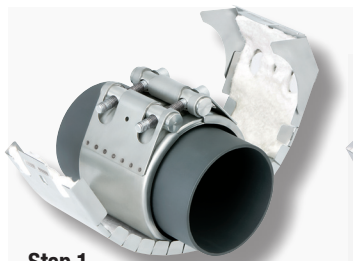
NORMACONNECT® RFP meets the latest IACS requirements (IACS P211) as well as ISO 19921 regulations. The product has been shock tested and vibration tested.

With **NORMACONNECT®** you will always enjoy first-class products made entirely from recyclable materials and produced in plants certified to TS 16949 and DIN EN ISO 14001.

FEATURES:

- Flame resistant up to 850°C
- Retrofittable
- Easy assembly without tooling
- Low weight
- Meets IACS requirements
- No chemicals in flame protection mat
- High flexibility
- Clear identification whether coupling is flame protected or not
- Mechanical stress resistant
- Less warehousing costs

Easy and safe assembly without tools



Step 1
Put the flame protection housing around the FGR coupling



Step 2
Position the flame protection housing over the coupling closure



Step 3
Ensure that the screw heads remain accessible



Step 4
Put the flap through the slot



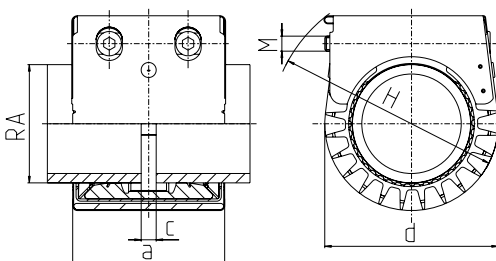
Step 5
Fold the flap over



Step 6
Lock the flap by folding back the lower part – ready !

Technical data for the **NORMACONNECT® RFP**

OD of FGR coupling mm	a	d	*H appr. (mm)	Weight of RFP housing (kg/piece)
26,9	69	60	110	0,09
28,0	69	60	110	0,09
30,0	69	60	110	0,1
33,7	69	65	115	0,10
38,0	75	70	120	0,11
42,4	75	75	125	0,12
44,5	75	75	125	0,12
48,3	75	80	130	0,13
54,0	90	90	135	0,14
57,0	90	90	140	0,16
60,3	90	95	145	0,16
76,1	110	110	160	0,24
88,9	110	120	170	0,26
101,6	110	135	185	0,28
104,0	110	135	185	0,29
108,0	110	140	190	0,30
114,3	110	145	195	0,31
133,0	125	170	220	0,41
139,7	125	175	225	0,43
154,0	125	190	240	0,45
159,0	125	195	245	0,49
168,3	125	205	255	0,50
219,1	155	260	310	0,73
273,0	155	315	365	0,87



*Dimensions of the housing are given as assembled on a **NORMACONNECT®** Grip/ Grip E/ Flex/ Flex E pipe coupling. Further sizes available on request.

Fire resistant up to 850° C



3-2B-6-20090416

For your nearest BREEZE stockist

Norma Pacific Pty Ltd
85 Merrindale Drive
Croydon South
Vic 3136 Australia

Phone (03) 9761 4416

Fax (03) 9761 4030

Email sales.au@normagroup.com

Website www.normagroup.com