

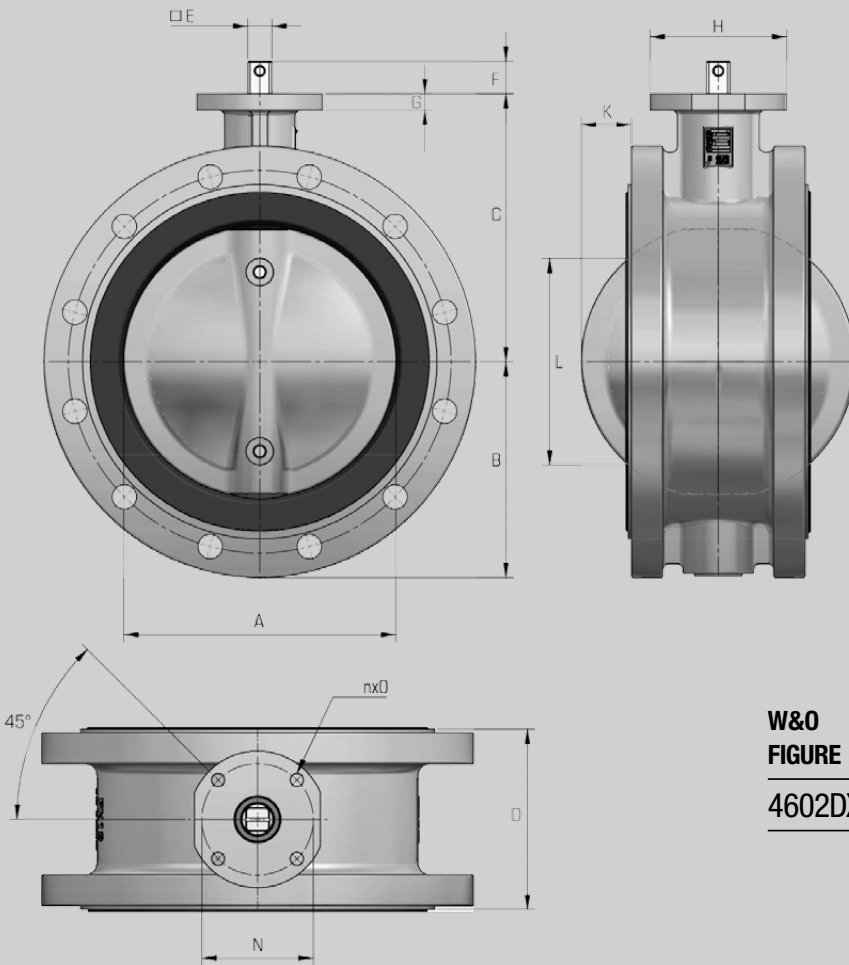
### TECHNICAL SPECIFICATION

- 1 Design EN 593
- 2 Face to face: EN 558-1 series 13
- 3 Flange connection PN16
- 4 ANSI B 16.5 Cl. 150#
- 5 JIS B 2211 5K, 10K
- 6 Temperature range -15/+80C
- 7 Working pressure PN16
- 8 Top flange according ISO 5211
- 9 Vacuum to 1\*10<sup>-3</sup> 0,2 Torr absolute

W&O FIGURE	MATERIAL BODY/DISC/SEAT	TEMPERATURE
4602DX	GGG40/SUPER DUPLEX 2507/NBR	-15°C/+80°C

### DIMENSIONS

DN (mm)	NPS (inch)	ØA (mm)	E (mm)	F (mm)	B (mm)	C (mm)	ØH (mm)	D (mm)	N (PCD) (ISO 5211)	n x Ø (mm)	G (mm)	L (mm)	K (mm)	Weight (kg)
40	1 1/2	40	11	25	61	113	90	106	Ø70 (F07)	4 x Ø9	12	NA	NA	7,5
50	2	52	11	25	67	118	90	108	Ø70 (F07)	4 x Ø9	12	NA	NA	8
65	2 1/2	68	11	25	74	126	90	126	Ø70 (F07)	4 x Ø9	12	NA	NA	8,8
80	3	82	11	25	82	133	90	133	Ø70 (F07)	4 x Ø9	14	NA	NA	10
100	4	104	11	25	99.5	147	90	147	Ø70 (F07)	4 x Ø9	14	NA	NA	13.1
125	5	127	14	28	111.5	160	90	160	Ø70 (F07)	4 x Ø9	14	NA	NA	18
150	6	151	14	28	134	180	90	180	Ø70 (F07)	4 x Ø9	14	56	5.4	23.1



### TECHNICAL SPECIFICATION

- 1 Design EN 593
- 2 Face to face: EN 558-1 series 13
- 3 Flange connection PN10
- 4 ANSI B 16.5 Cl. 150#
- 5 JIS B 2211 5K, 10K
- 6 Temperature range -15/+80C
- 7 Working pressure PN10
- 8 Top flange according ISO 5211
- 9 Vacuum to 1\*10<sup>-3</sup> 0,2 Torr absolute

W&O FIGURE	MATERIAL BODY/DISC/SEAT	TEMPERATURE
4602DX	GGG40/SUPER DUPLEX 2507/NBR	-15°C/+80°C

### DIMENSIONS

DN (mm)	NPS (inch)	ØA (mm)	E (mm)	F (mm)	B (mm)	C (mm)	ØH (mm)	D (mm)	N (PCD (ISO 5211)	n x O (mm)	G (mm)	L (mm)	K (mm)	Weight (kg)
200	8	201	17	28	172	204	90	152	Ø70 (F07)	4 x Ø9	14	132	25	43
250	10	252	22	30	203	245	125	165	Ø102 (F10)	4 x Ø11	15	190	43	52
300	12	304	22	30	223	270	125	178	Ø102 (F10)	4 x Ø11	15	246	63	77
350	14	336	27	29	282	315	150	160	Ø125 (F12)	4 x Ø14	20	227	73	95
400	16	397	27	29	307	350	150	216	Ø125 (F12)	4 x Ø14	20	332	90	101
450	18	447	36	38	352	375	175	222	Ø140 (F14)	4 x Ø18	20	388	112	154
500	20	497	36	38	387	415	175	229	Ø140 (F14)	4 x Ø18	20	441	134	170
600	24	601	46	48	452	465	210	267	Ø165 (F16)	4 x Ø22	25	538	167	231
700	28	689	Ø70	110	489	555	210	292	Ø165 (F16)	4 x Ø22	25	624	198	365
800	32	790	Ø80	120	549	620	300	318	Ø254 (F25)	8 x Ø18	30	723	236	440
900	36	889	Ø90	120	614	675	300	330	Ø254 (F25)	8 x Ø18	30	825	279	671
1000	40	986	Ø90	120	664	740	300	410	Ø254 (F25)	8 x Ø18	30	897	288	990
1100	44	1073	Ø105	120	740	800	350	410	Ø298 (F30)	8 x Ø22	40	942	332	1180
1200	48	1174	Ø110	160	802	875	350	470	Ø298 (F30)	8 x Ø22	40	1075	352	1440