

TECHNICAL SPECIFICATION

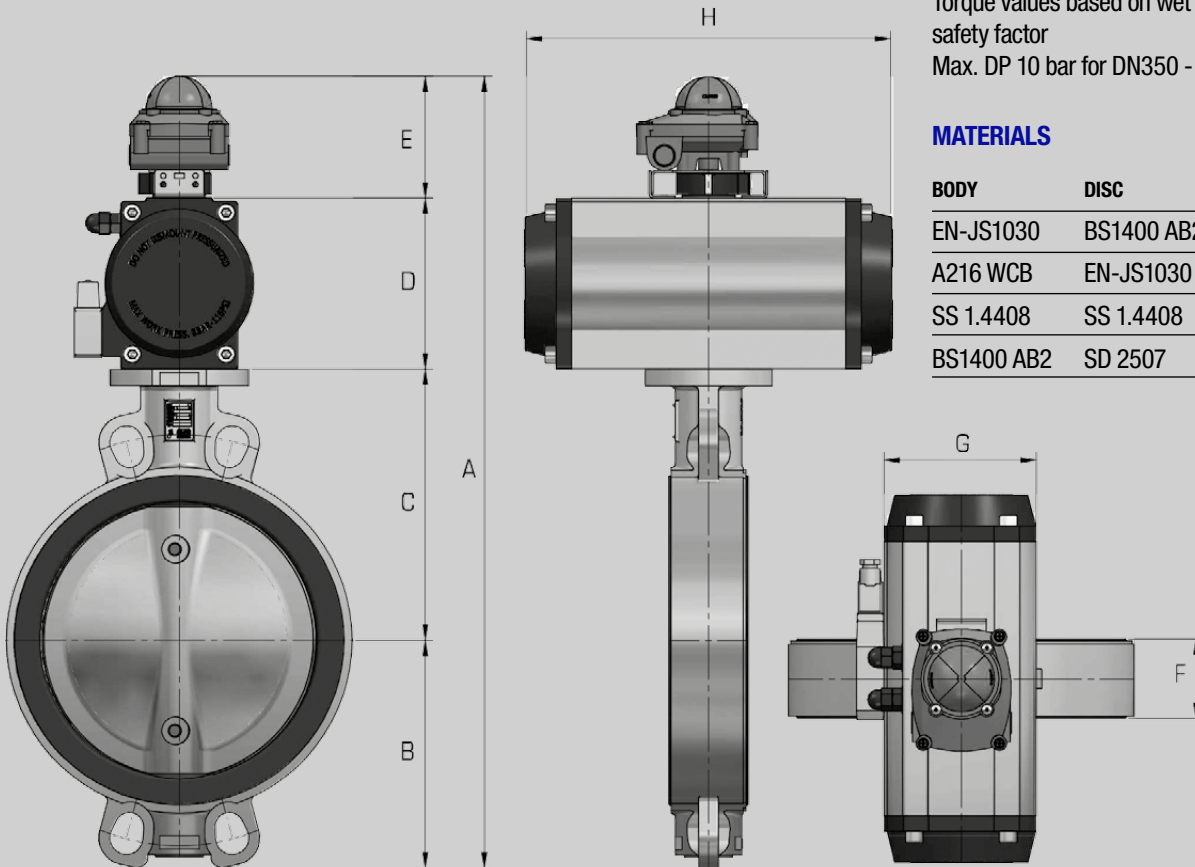
Double acting pneumatic actuator
 Min. Air supply pressure 6 bar
 Torque values based on wet application with min. 25% safety factor
 Max. DP 16 bar for DN40 - DN150 - 10 bar for larger sizes

MATERIALS

BODY	DISC	SHAFT	SEAT
EN-JS1030	BS1400 AB2	SS 1.4122	NBR
A216 WCB	EN-JS1030	SS 431	EPDM
SS 1.4408	SS 1.4408	SS 1.4462	
BS1400 AB2	SD 2507	SD F53	

DIMENSIONS

DN (mm)	Actuator	A (mm)	B (mm)	C (mm)	D (mm)	E (mm)	F (mm)	G (mm)	H (mm)	Weight (kg)
40	0630	387	61	113	88	125	33	82	169	4.1
50	0630	398	67	118	88	125	43	82	169	4.3
65	0630	413	74	126	88	125	46	82	169	4.9
80	0630	428	82	133	88	125	46	82	169	5.7
100	0630	460	100	147	88	125	52	82	169	6.5
125	0750	497	112	160	100	125	56	94	201	10
150	0830	547	134	180	108	125	56	101	209	12.7
200	1050	621	159	204	133	125	60	122	275	19.6
250	1250	720	195	245	155	125	68	138	332	29.7
300	1400	787	220	270	172	125	78	153	385	43.3



TECHNICAL SPECIFICATION

Double acting pneumatic actuator
 Min. Air supply pressure 6 bar
 Torque values based on wet application with min. 25% safety factor
 Max. DP 10 bar for DN350 - DN600 - 6 bar for larger sizes

MATERIALS

BODY	DISC	SHAFT	SEAT
EN-JS1030	BS1400 AB2	SS 1.4122	NBR
A216 WCB	EN-JS1030	SS 431	EPDM
SS 1.4408	SS 1.4408	SS 1.4462	
BS1400 AB2	SD 2507	SD F53	

DIMENSIONS

DN (mm)	Actuator	A (mm)	B (mm)	C (mm)	D (mm)	E (mm)	F (mm)	G (mm)	H (mm)	Weight (kg)
350	1400	895	282	315	172	125	78	153	385	52.7
400	1600	979	307	350	197	125	102	174	450	90.5
450	1900	1069	352	375	206	136	114	206	507	129.1
500	2100	1193	387	415	255	136	127	226	532	169.8
600	2400	1443	452	565	290	136	154	258	646	265.4
700	2700	1513	502	555	320	136	165	292	722	406.3
800	3500	1734	557	620	410	147	190	385	866	494
900	3500	1854	622	675	410	147	203	385	886	644
1000	3500	1969	672	740	410	147	216	385	886	894